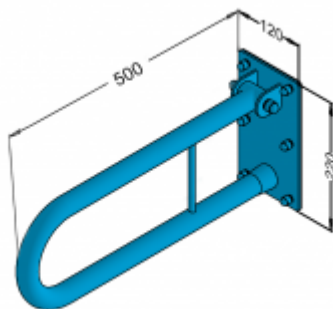




Arched tilting handrail 50cm 32-UR5

- Screw covers
- Mounting kit included
- Silicone pads to eliminate unevenness
- Easy to clean

Material	Carbon steel
Finish	Powder coated in white
Type of coating	Polyester paint
Coating thickness	120 μ
Handrail type	Tilting, arched, wall
Handrail length	500 mm
Tube diameter	\varnothing 32mm
The wall thickness	1,5 mm
Maximum load	130 kg
Hole diameter	\varnothing 6,5 mm
Number of fixing holes	6
Includes	6x60 mm screws, 10x60 mm plugs



Handrail for disabled people, arched, tilting, wall-mounted, length 500 mm, general-purpose, made of 32 mm diameter carbon steel tube, white powder coated. We use this type of handrail in the washbasin, shower, and toilet area.