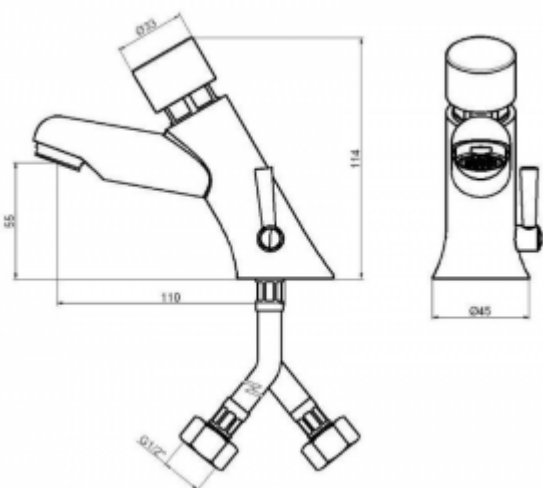




## Time battery 8007

- The body is made of chrome-plated brass
- High resistance to vandalism due to the highest quality materials
- Exceptional durability and reliability
- The product is entirely made in the European Union
- Simple operation
- Easy assembly
- Push button control
- Self-closing time 15 secs at 3 bars (not adjustable)
- Mixing with side lever
- Flow limiter 6 l/min
- Check valves and stainless steel flexibles included

Connector	2 x 1/2"
Mixer	Yes
Design	Chrome-plated brass
Water time flow	Adjustable from 8-12 seconds $\pm$ 5 second
Start	Button
Water Temperature	5-65°C
Water pressure reduction	up to 6l / min.
Operating pressure	Min 1 bar - Max 6 bar



A self-closing basin mixer with a push button is made of chrome-plated brass is an ideal solution for public spaces such as swimming pools, saunas, shopping centers, hotels, and others. The 9007 tap is equipped with a mixer and two 1/2 "connections. Starting the water flow is possible thanks to the button, the water flow time is from 8-12 seconds  $\pm$  5 seconds (depending on the settings).

However, changing the water temperature is possible thanks to the button. a convenient and practical lever on the side of the battery. The offered battery includes check valves and stainless steel hoses. In addition, it is a product that has been entirely made in the European Union.