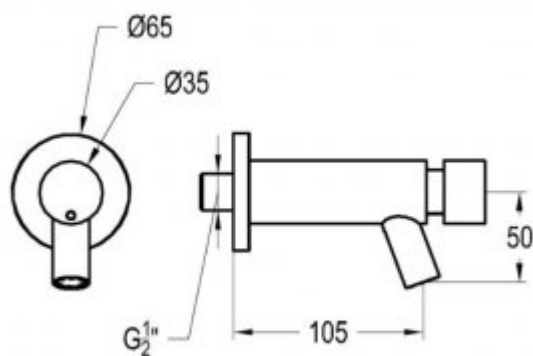




## Time battery 9003DA

- The body is made of brass covered with black paint.
- High resistance to vandalism
- Exceptional durability and reliability
- The product is entirely made in the European Union
- Simple operation
- Easy to assemble
- Certificate of the Polish Institute of Hygiene
- CE declaration of conformity
- National Declaration of Performance

Connector	1/2 "
Mixer	None
Design	The body is made of AISI 316 stainless steel
Water time flow	15 seconds with water pressure 3 bar
Water pressure	Min 1 bar - Max 5 bar
Water pressure reductor	up to 5 l/min
Water temperature	5-65° C



The time battery, adapted for wall mounting with a button, is a product designed for public spaces, such as shopping centers, spas, hospitals, swimming pools, and others. The body of the faucet is made of brass with a black finish. Moreover, in the upper part of the body there is a button to start the water flow. The 9003DA faucet has one 1/2 "connection for cold or mixed water. In the case of a faucet with one connection, it is recommended to connect the faucet to an installation equipped with a central mixer.