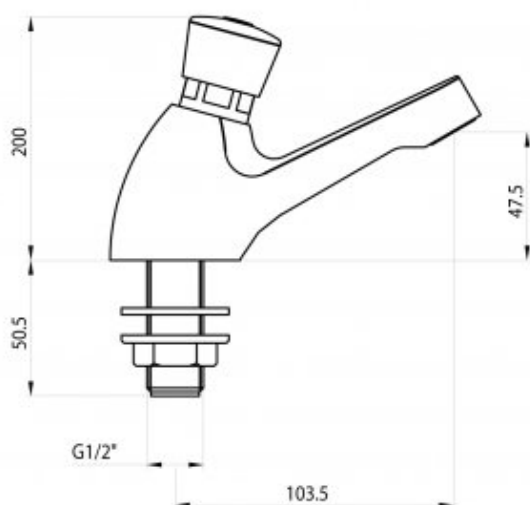




Time battery 9001

- The body is made of chrome-plated brass
- Three variants: 9001 universal, 9001 / M with a concealed mixer and 9001AB with an anti-block system
- Water flow time adjustment (available for 9001 and 9001 / M variants)
- Water pressure reduction in the form of a cup and water flow reducer
- High resistance to vandalism (the 9001AB variant has an additional protection in the form of an anti-block system)
- Classic pattern
- Exceptional durability and reliability
- The product is entirely made in the European Union
- Simple operation
- Easy to assemble
- Certificate of the Polish Institute of Hygiene
- CE declaration of conformity
- National Declaration of Performance

Option	For mixed water
Connector	1/2 "
Mixer	2xG1 / 2 under-basin - only with 9001 / M
Design	Chrome-plated brass
Water time flow	Adjustable 10 seconds \pm 3 second
Start	By means of the button
Water pressure reductor	up to 6l / min.
Water temperature	5-65°C
Water pressure	Min 0,5 bar - Max 6 bar (Recommended 2-4 bar)
Contains	Battery, mounting kit for the washbasin



The 9001 basin tap is a classic product for mixed water. The body is made of solid brass covered with chrome. The whole has one G1 / 2 connection and elements regulating the water flow. The mentioned elements are:

- a cup regulating the flow of water;
- water flow regulator - included with the faucet, requires manual installation in the connection area;
- the water flow regulating hole in the headvalve. The flow time can be changed using the included hex key - the option to adjust the water flow time is not available with the anti-block system.

Single time flow of the water is approximately 10 seconds \pm 3 seconds (at a water pressure of 3 bar). The amount of water consumed is up to 6 l / m. The minimum connection pressure is 0.5 bar, the maximum is 6 bar, the recommended connection pressure should be 2-4 bar.

The offered 9001 battery is available in three convenient variants:

- 9001 universal variant, equipped with one 1/2 connection and a cup, a water flow reducer and an adjustment hole;
- 9001 / M variant equipped with a 2 x G1 / 2 concealed mixer, a cup, a flow reducer and an adjustment hole;
- 9001AB variant with an integrated anti-block system, which includes a cup and a flow reducer. The option to adjust the water flow time is not available.

Each 9001 tap is certified by the Polish Institute of Hygiene, CE Declaration of Conformity and the National Declaration of Performance.