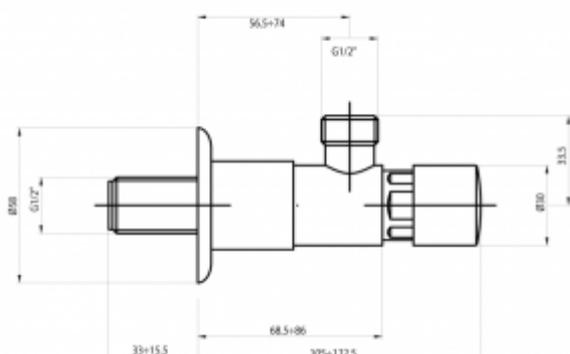




## Time battery 9004A

- The body is made of chrome-plated brass
- Water flow time adjustment
- Water pressure reduction
- High resistance to vandalism due to the highest quality materials
- Exceptional durability and reliability
- Italian product
- Simple operation
- Easy assembly
- PZH certificate, CE declaration

Option	No mixer
Connector	G1/2
Mixer	None
Design	Vandal-resistant - chrome plated brass
Water time flow	Adjustable from 15-25 seconds
Start	By means of the button
Water pressure reductor	up to 6l / min.
Spout	Lack
Contains	Battery, mounting kit, masking rosette



Shower self-closing tap with one water connection G1/2 for cold or mixed water. The single flow of water is 15-25 seconds with a water pressure of 3 bar. The amount of water that is used for a single outflow is about 6 l / m. In addition, the water connection pressure can be 0.5 - 6 bar, the recommended connection pressure should be 2-4 bar.

Moreover, there are two versions of the 9004A battery:

- 9004A, universal battery with one G1 / 2 connection and additional flow regulating elements;
- 9004AAB, battery with an anti-block system with one G1 / 2 connection and additional flow regulating elements.