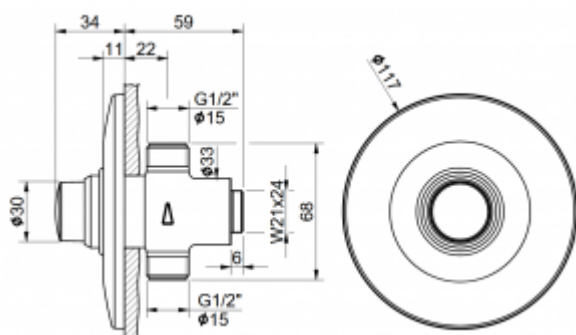




## Time battery 9005INOX

- The body is made of stainless steel AISI 316L
- Water flow time adjustment
- Water pressure reduction in the form of a cup and water flow reducer
- High resistance to vandalism
- Exceptional durability and reliability
- The product is entirely made in the European Union
- Simple operation
- Easy to assemble
- Certificate of the Polish Institute of Hygiene
- CE declaration of conformity
- National Declaration of Performance

Option	For mixed water
Connector	G1/2
Design	Stainless steel AISI 316L
Water time flow	Adjustable from 15 to 25 seconds
Start	By means of the button
Water pressure reductor	up to 6l / min.
Water temperature	5-65°C
Water pressure	Min 0,5 bar - Max 6 bar (Recommended 2-4 bar)
Contains	Battery, mounting kit



Shower tap for concealed installation. The tap has one G1 / 2 connection for cold or mixed water. The body of the faucet is made of stainless steel AISI 316L. A single outflow of water in the 9005 shower tap takes about 15 - 25 seconds. The amount of water consumed at the outlet is approx. 6 l / m, at a water connection pressure of 3 bar. The connection pressure can be from 0.5 to 6 bar, however the recommended connection pressure should be from 2 to 4 bar.