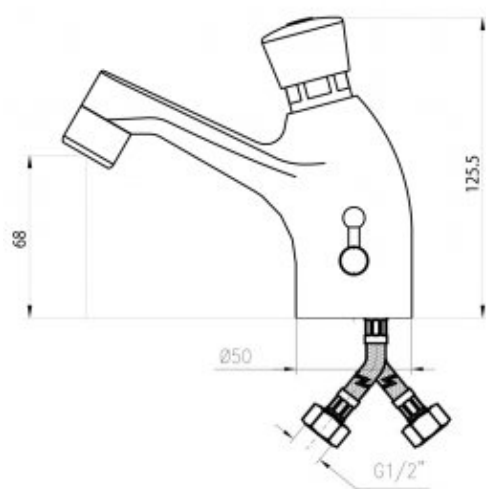




## Time battery 9007

- A lever built into the side of the body, used to change the temperature of the outgoing water
- Built-in mixer
- Two variants: 9007 universal with mixer and 9007AB with mixer and anti-block system
- Water flow time control (available for variant 9007)
- Water pressure reduction in the form of a cup and water flow reducer
- High resistance to vandalism (the 9007AB variant has an additional protection in the form of an anti-block system)
- The body is made of chrome-plated brass
- Vandal-resistant design
- Exceptional durability and reliability
- Italian product
- Simple operation
- Easy to assemble
- PZH certificate, CE declaration

Option	With mixer
Connector	2 x 1/2"
Mixer	Manual
Design	Vandal resistant - chrome plated brass
Water time flow	Adjustable from 10 seconds ± 3 second
Start	By means of the button
Water pressure reductor	up to 6l / min.
Spout	Equipped with an aerator
Contains	Battery, 2 hoses 1/2 ", 350 mm long, 2 1/2" fittings equipped with check valves and seals, mounting kit for the wash basin



The washbasin timer with an integrated mixer and aerator a reliable product most often used in public spaces. The 9007 faucet is made of corrosion-resistant chrome-plated brass. In the side part of the body there is a mixer, regulated by a lever.

The 9007 battery has two G1 / 2 connections. A single flow of water takes about 10 seconds ± 3 seconds (at a water pressure of 3 bar). The amount of water used for a single outflow is approx. 6 l / m. However, the minimum connection pressure is 0.5 bar, the maximum is 6 bar, but it is worth adding that the recommended connection pressure should be 2-4 bar. The 9007 basin mixer has several elements that regulate the time and amount of water flow:

- a cup regulating the flow of water;
- a water flow reducer, attached to the faucet;
- water flow regulating hole, water flow time adjustment option is not available when anti-block system is used.

In addition, the 9007 tap battery is available in two variants:

- 9007 universal variant, equipped with one 1/2 connection and a cup, water flow reducer and an adjustment hole;
- 9007AB variant with an integrated anti-block system, which includes a cup and a flow reducer. The option to adjust the water flow time is not available.

Each 9007 basin tap is certified by the Polish Institute of Hygiene, CE Declaration of Conformity and the National Declaration of Performance.