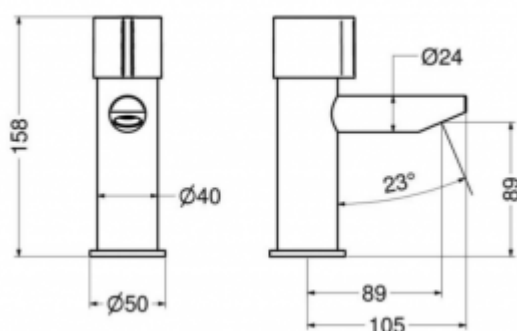




Time battery 9008

- The body is made of chrome-plated brass
- Exceptional durability and reliability
- The product is entirely made in the European Union
- Simple operation
- Easy assembly
- Activation and mixing by handle
- Self-closing time 15 secs at 3 bars (reducible)
- Flow limiter 6 l/min
- Check valves and stainless steel flexibles included

Connector	2 x G1/2
Mixer	Yes
Design	Chrome-plated brass
Water time flow	15 seconds \pm 3 seconds with pressure 3 bar
Start	Button
Water Temperature	5-65°C
Water pressure reduction	up to 6l / min.
Operating pressure	Min 1 bar - Max 5 bar



A time button faucet made of chrome-plated brass is a device adapted to public spaces - including hotels, shopping malls, public toilets, and others. The 9008 faucet is equipped with two 1/2" connections for cold and hot water. In the upper part of the body, there is a built-in mixer, thanks to which the user can freely change the water temperature. The water flow itself is possible thanks to the button, the water flow time is about 15 seconds \pm 3 seconds (with a water pressure of 3 bar). It is worth adding here that the 9008 battery is a product that was entirely made in the European Union.