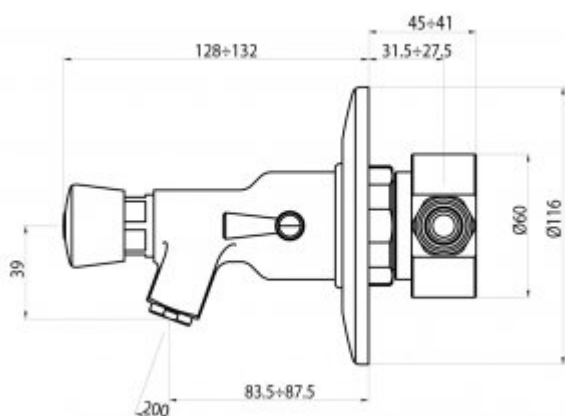




## Time battery 9083

- Manual mixer in the form of a lever located on the side of the battery.
- The body is made of chrome-plated brass
- Water flow time adjustment
- Water pressure reduction
- High resistance to vandalism due to the highest quality materials
- Exceptional durability and reliability
- The product is entirely made in the European Union
- Simple operation
- Easy assembly
- 15 years manufacturer's warranty excluding consumable parts
- PZH certificate, CE declaration

Option	With mixer
Connector	2x 1/2"
Mixer	Manual
Design	Vandal resistant - chrome plated brass
Water time flow	adjustable from 8-12 seconds $\pm$ 1 sekunda second
Start	By means of the button
Water pressure reductor	up to 6l / min.
Spout	Equipped with an aerator
Contains	Battery, mounting kit, non-return valves, masking rosette



Washbasin timer with a manual mixer in the form of a lever located on the side of the faucet, which makes temperature regulation easy and more under control.