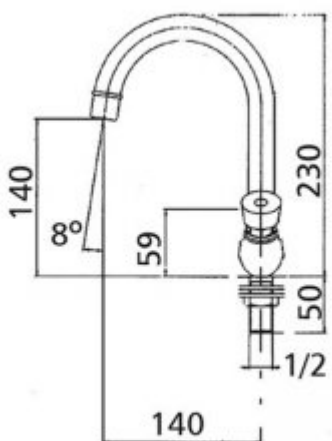




## Time battery 9091

- Swivel spout
- The body is made of chrome-plated brass
- Water flow time adjustment
- Water pressure reduction
- High resistance to vandalism due to the highest quality materials
- Exceptional durability and reliability
- The product is entirely made in the European Union
- Simple operation
- Easy assembly
- 15 years manufacturer's warranty excluding consumable parts
- PZH certificate, CE declaration

option	For mixed water
connector	1/2"
mixer	None
design	chrome plated brass
water time flow	from 8-12seconds ± 1 sekunda second
start	By means of the button
water pressure reductor	up to 6l / min.
contains	Battery, mounting kit for the washbasin



Washbasin timer for cold or mixed water. By using this type of battery, the user has no control over the regulation of water temperature, so he is not exposed to possible burns.