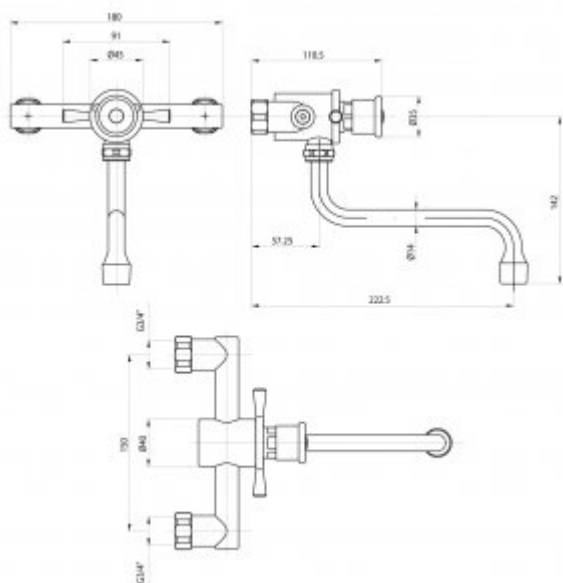




Time battery 9092

- Manual mixer in the form of a knob with insets located just behind the button
- Movable spout
- Body made of corrosion-resistant chrome-plated brass Water flow time adjustment (only for variant 9092)
- Water flow reduction
- High resistance to vandalism thanks to the highest quality materials
- Exceptional durability and reliability
- The product is entirely made in the European Union
- Simple operation
- Easy to assemble
- PZH certificate, CE declaration

Option	For cold and hot water
Connector	G3/4
Mixer	2x G3/4
Design	Chrome-plated brass
Water time flow	Adjustable from 10 seconds \pm 3 second
Start	By means of the button
Water pressure reductor	up to 6l / min.
Water temperature	5-65°C
Water pressure	Min 0,5 bar - Max 6 bar (Recommended 2-4 bar)
Contains	Battery, mounting kit



A specialized wall-mounted time mixer with a movable spout and a mixer with two G3 / 4 connections for cold and hot water. The faucet body is made of durable brass covered with a layer of chrome. The spout is equipped with a standard strainer to regulate the water stream. Standard water flow time is approx. 10 seconds \pm 3 seconds (at 3 bar water pressure).

The amount of water consumed by the flow of water is up to 6 l / m. The minimum connection pressure is 0.5 bar, the maximum is 6 bar, the recommended connection pressure should be 2-4 bar.

The 9092 battery is available in two variants:

- 9092 universal variant
- 9092AB variant with built-in anti-block system, which includes cup and flow reducer.

The option to adjust the water flow time is not available. Importantly, each 9092 battery comes with an assembly kit and the whole is certified by the Polish Institute of Hygiene, CE Declaration of Conformity and the National Declaration of Performance.