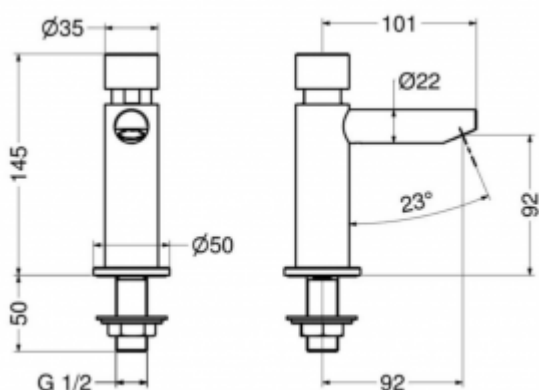




Time battery 9800

- The body is made of chrome-plated brass
- Exceptional durability and reliability
- The product is entirely made in the European Union
- Simple operation
- Easy assembly
- Push-button control
- Self-closing time 15 secs at 3 bars (not adjustable)
- Flow limiter 6 l/min

Connector	1/2"
Mixer	No
Design	Chrome-plated brass
Water time flow	15 seconds \pm 5 seconds with pressure 3 bar
Start	Button
Water Temperature	5-65°C
Water pressure reduction	up to 6l / min.
Operating pressure	Min 1 bar - Max 6 bar



A time button faucet made of chrome-plated brass is a device adapted to public spaces - including hotels, shopping malls, public toilets and others. The 9800 tap is equipped with one 1/2" connection for cold or mixed water. The water flow can be started by pressing the button on the upper part of the body. One-time water flow time is approximately 15 seconds \pm 5 seconds (at a water pressure of 3 bar). What's more, the 9800 battery was entirely made in the European Union.