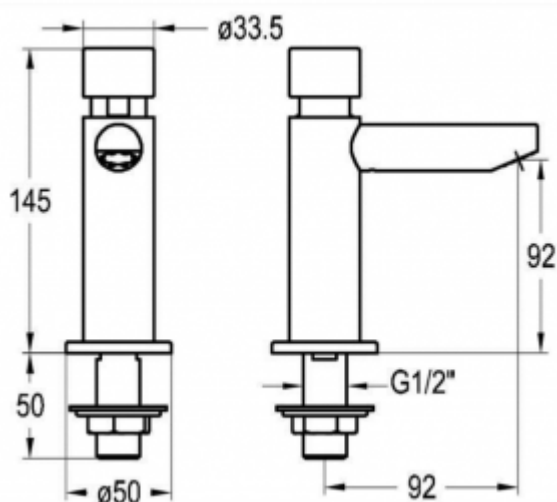




## Time battery 9081INOX

- The body is made of AISI 316 stainless steel
- Exceptional durability and reliability
- The product is entirely made in the European Union
- Simple operation
- Easy assembly
- AISI 316 stainless steel brushed finishing body
- Push-button control
- Self-closing time 15 secs at 3 bars (not adjustable)
- Flow limiter 5 l/min

|                         |   |
|-------------------------|---|
| Option                  | For mixed water                             |
| Connector               | G1/2  |
| Mixer                   | 2xG1 / 2 under-basin - only with 9081INOX/M |
| Design                  | AISI 316 stainless steel                    |
| Water time flow         | Adjustable about 15 seconds                 |
| Start                   | By means of the button                      |
| Water pressure reductor | up to 5l/min.                               |
| Water temperature       | 5-65°C                                      |
| Water pressure          | Min 1 bar - Max 5 bar (Recommended 2-4 bar) |



The self-closing basin tap with a moving aerator. The body is made of AISI 316 stainless steel. The tap has one G1 / 2 connection. A single outflow of water takes about 15 seconds (at a water pressure of 3 bar). The amount of water used is 5 l / m. The minimum connection pressure is 1 bar, the maximum is 5 bar. It is worth adding that the recommended connection pressure should be 2-4 bar.

The 9081INOX is available in two variants:

- 9081INOX universal variant, equipped with one 1/2 connection;
- 9081INOX/M variant equipped with 2 x G1 / 2 concealed mixer.