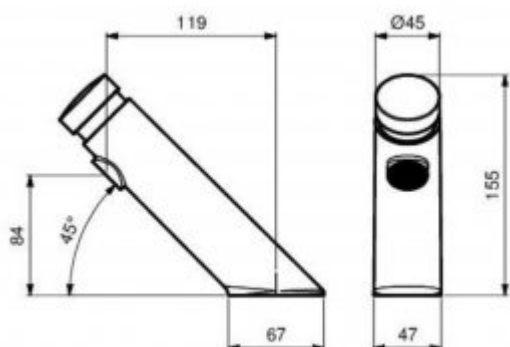




Self closing basin tap with push button 8141

- The body is made of chrome-plated brass
- Two variants: 8141 universal, 8141/M with a under-washbasin mixer,
- High resistance to vandalism
- Classic pattern
- Exceptional durability and reliability
- The product is entirely made in the European Union
- Simple operation
- Easy to assemble
- Certificate of the Polish Institute of Hygiene
- CE declaration of conformity
- National Declaration of Performance

Option	For mixed water
Connector	G1/2
Mixer	2xG1 / 2 under-basin - only with 8141/M
Design	Chrome-plated brass
Water time flow	Adjustable 15 seconds
Start	By means of the button
Water pressure reductor	up to 6l / min.
Water temperature	5-65°C
Water pressure	Min 1 bar - Max 6 bar (Recommended 2-4 bar)
Contains	Battery, mounting kit for the washbasin



The self-closing basin tap with a moving aerator. The body is made of chrome-plated brass. The tap has one G1 / 2 connection. A single outflow of water takes about 15 seconds (at a water pressure of 3 bar). The amount of water used is 6 l / m. The minimum connection pressure is 1 bar, the maximum is 6 bar. It is worth adding that the recommended connection pressure should be 2-4 bar.

The 8141 is available in two variants:

- 8141 universal variant, equipped with one 1/2 connection;
- 8141/M variant equipped with 2 x G1 / 2 concealed mixer.