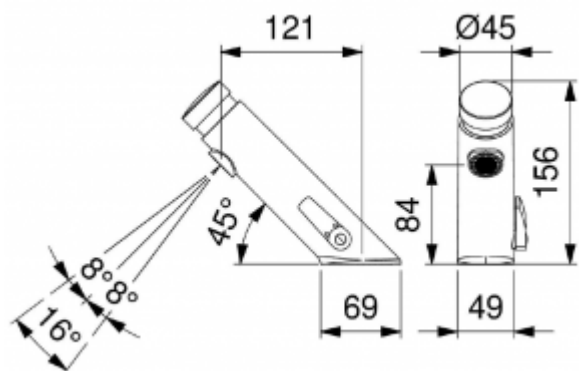




Self closing basin tap with push button 8147

- A lever built into the side of the body, used to change the temperature of the outgoing water
- Built-in mixer
- The body is made of chrome-plated brass
- Vandal-resistant design
- Exceptional durability and reliability
- Italian product
- Simple operation
- Easy to assemble
- PZH certificate, CE declaration

Option	With mixer
Connector	2 x G1/2
Mixer	Manual
Design	Vandal resistant - chrome plated brass
Water time flow	Adjustable from 15 seconds
Start	By means of the button
Water pressure reductor	up to 6l / min.
Spout	Equipped with an aerator
Contains	Battery, fittings equipped with check valves and seals, mounting kit for the washbasin



The washbasin tap with an integrated mixer for cold and hot water. The 8147 faucet is made of corrosion-resistant chrome-plated brass. In the side part of the body, there is a mixer, regulated by a lever.

The 8147 time tap has two G1/2 connections. A single flow of water takes about 15 seconds (at a water pressure of 3 bar). The amount of water used for a single outflow is approx. 6 l / m. However, the minimum connection pressure is 1 bar, the maximum is 6 bar, but it is worth adding that the recommended connection pressure should be 2-4 bar.