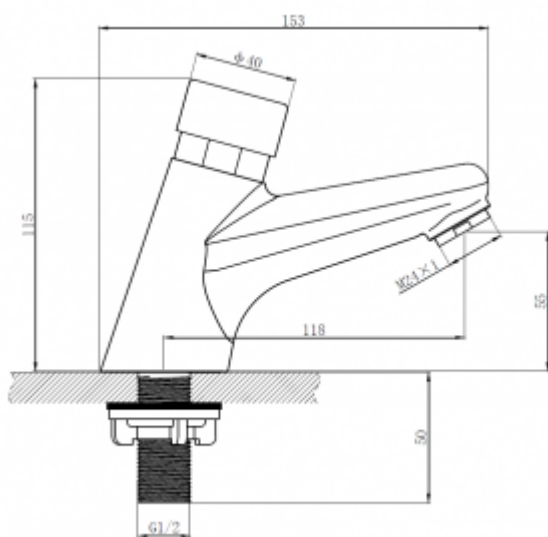


## Timed basin faucet TEMPOR on mixed water 9102S

- The body is made of chrome-plated brass
- Two variants: 9102S with a SOFT-PRESS head, 9102S/M with a SOFT-PRESS head and mixer
- High resistance to vandalism
- Classic pattern
- Exceptional durability and reliability
- Simple operation
- Easy to assemble
- Certificate of the Polish Institute of Hygiene
- CE declaration of conformity
- National Declaration of Performance

Option	For cold or mixed water
Connector	G1/2
Mixer	Underbasin mixer - only with 9102S/M
Design	Chrome-plated brass
Water time flow	Adjustable 7 seconds $\pm$ 3 second
Start	By means of the button
Water temperature	0-50°C
Water pressure	Min 1 bar - Max 6 bar
Contains	Battery, mounting kit for the washbasin, filter



Washbasin time tap with one G1/2 connection, for cold or mixed water. The faucet body is made of brass covered with a chrome layer. There is an aerator in the spout. A single flow of water during start-up lasts 7 seconds  $\pm$  3 seconds. The working water pressure is from 1 to 6 bar. The water temperature range can be 0 - 50 °C. The offered 9102S tap is available in two variants:

- 9102S variant with the SOFT-PRESS head;
- 9102S/M variant with the SOFT-PRESS head nad with underbasin mixer.