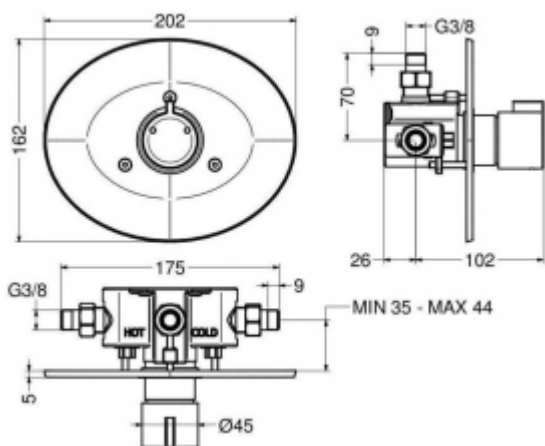




## Time battery with thermostat 9010MIXT

- Exceptional durability and reliability
- The product is entirely made in the European Union
- Simple operation
- Easy assembly
- Activation and mixing by the handle
- TMV3 thermostatic progressive cartridge
- Maximum temperature preset at 38°C, adjustable
- Check valves with 9l/min flow limiter and filters in the water supply
- Self-closing time 15 secs at 3 bars (not adjustable)

Connector	2 x 3/8"
Mixer	Yes
Design	Chrome-plated brass
Water time flow	Adjustable from 30-50 seconds ± 5 second
Start	Button
Water Temperature	5-63°C
Operating pressure	Min 1 bar - Max 5 bar



Self-closing flush-mounted mixer with 3/8 &HASH39;connections for cold and hot water, is adapted for wall mounting - shower. The self-closing cartridge is activated by a button built into the central part of the mixer. Temperature adjustment is possible with a lever, the maximum temperature is 38 ° C - setting the min / max temperature in the range of 5-63 ° C is possible only with the use of hydraulic regulation. The whole is made of brass covered with a chrome coating.

Mixer 9010MIXT is available in two mounting variants:

- mixer only without mounting box - ID 9010MIXT
- mixer with an attached mounting box - 9010MIXT BOX

What&HASH39;s more, the 9010MIXT mixer uses a modern TMV3 thermostatic expansion valve. TMV series valves are used in general refrigeration, they are used in devices with one or more cooling circuits.