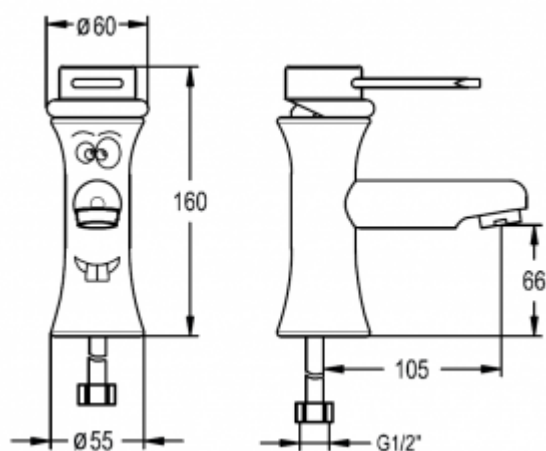




## Children's battery B210

- Two variants: B210 with ceramic head, B212 with ceramic mixer
- The body is made of brass, covered with epoxy paint
- ECO-STOP function to prevent excessive water consumption
- Children&HASH39;s-friendly colors
- Spout equipped with an aerator
- Vandal-proof design
- Exceptional durability and reliability
- The product is entirely made in the European Union
- Simple operation
- Easy to assemble

Option	For mixed water
Connector	1/2 "
Mixer	2xG1 / 2 ceramic - only with B212
Design	Brass covered with epoxy paint
Start	By lever
Water pressure reductor	up to 6l / min.
Water temperature	5-65°C
Water pressure	Min 1 bar - Max 6 bar (Recommended 2-4 bar)
Contains	Battery, mounting kit for the washbasin



Basin mixer with one G1 / 2 connection for cold or mixed water. The faucet body is made of brass covered with colored epoxy paint. The offered children&HASH39;s battery is equipped with the Eco-Stop system. The mentioned system is a two-stage activation of the water flow. The first activation (tilting the handle to start the battery) stops at a maximum flow of 3 l / m, the second activation (further tilting the handle) increases the maximum water flow to 6 l/m.

Children&HASH39;s washbasin tap are available in two variants:

- B210 universal variant, equipped with one 1/2 connection with a ceramic head and anti-burn lock;
- B212 variant equipped with a ceramic mixer 2 x G1 / 2 with anti-burn lock.