

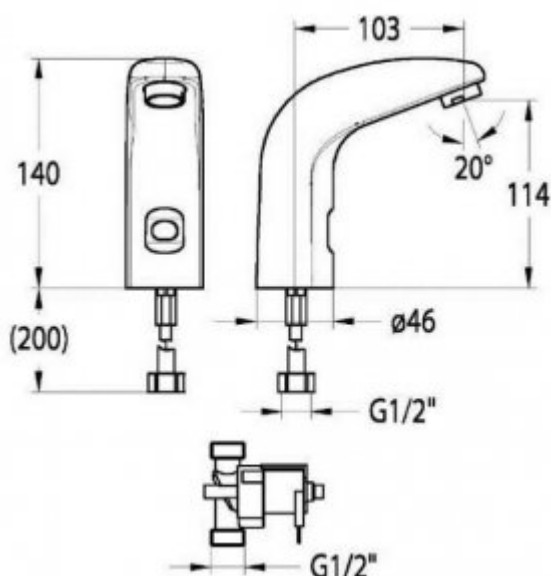


## Electronic photocell battery 2511

- Infrared sensor with activation on presence detection
- Vandal-proof stop after 1 min of continuous flow
- Automatic anti-legionella water flow every 24h after last use
- External power supply 230V AC/6V DC or Alkaline "AA" 4x1,5V battery (150,000 cycles)
- Sealed battery box for installation under basin
- Solenoid valve 6V (external)
- Aerator with 6 l/min. flow limiter
- 

two possible connections to the water supply: direct to one 1/2" connection - without the possibility of setting / regulating the water temperature. - ID 2511R, 2511B; to the mixer with a 1/2" connection (mixer Id 9020) - with the possibility of setting / regulating the water temperature. -ID 2511R /M, 2511B/M

Power	External power supply 230V AC/6V DC/ 4x1,5V "AA" battery (150,000 cycles)
Connector	1/2"
Temperature	5-70°C
Design	Brass covered with chrome
Water time flow	6 l/min
Start	Infra-red sensor
Operating pressure	Min - 1 - max - 8 bar
Spout	With vandal-resistant aerator



The non-contact battery 2511 is a product that guarantees safe and non-contact use. The offered battery has a built-in infrared sensor, thanks to which you only need to bring your hands closer to start the water flow.

In addition, the whole has two power options:

- via 230V AC / 6V DC power supply
- by battery, 4x "AA" × 1.5V

The contactless faucet has been equipped with a water saving mode, which automatically turns off the flow after 1 minute of continuous use.

For the 2511 series, there are two possible connections to the water supply:

- direct to one 1/2" connection - without the possibility of setting / regulating the water temperature. - ID 2511R;
- to the mixer with a 1/2" connection (mixer Id 9020) - with the possibility of setting / regulating the water temperature. - ID 2511R /M.

The outer part of the faucet is made of brass covered with chrome. The advantage of brass fittings is durability and resistance to corrosion, temperature, and pressure changes.