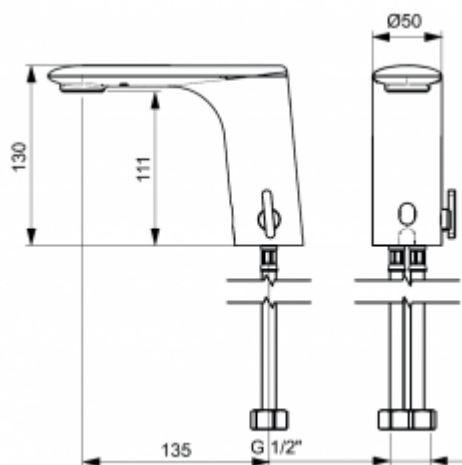




## Electronic photocell battery with mixer 2514A

- Body made of corrosion-resistant brass
- Black finish
- Built-in infrared sensor activated when the presence of a hand is detected
- Safe use, fully contactless
- A side lever that allows you to control the water temperature
- Automatic rinse after 24 hours. It prevents the multiplication of microorganisms, including legionella bacteria
- Vandal-proof protection in the form of automatic shutdown of water flow after 1 minute of continuous use
- Two connection options: 2514B, 6V lithium battery (CRP2) - 220,000 cycles, 2514R, 230V AC / 6V DC power supply
- Exceptional durability and reliability
- Easy to assemble

Power	2514B, 6V lithium battery (CRP2) - 220,000 cycles, 2514R, 230V AC / 6V DC power supply
Connector	2 x G1/2
Mixer	Built-in
Design	Chrome-plated brass
Water flow	6 l/min
Water pressure	Min - 1 - max - 6 bar
Start	Infra-red sensor with presence detection function
Temperature (min-max)	5-70°C



Touchless washbasin faucet with a built-in mixer for cold and hot water. The side lever allows you to adjust the temperature or allows you to set a constant water temperature. The 2514 Series offers two power options:

- 2514B, 6V lithium battery (CRP2) - 220,000 cycles;
- 2514R, 230V AC / 6V DC power supply.

The mentioned electronic battery is equipped with a saving mode, which automatically turns off the water flow after 1 minute of continuous use. Automatic rinsing takes place every 24 hours to prevent the proliferation of microorganisms, including legionella bacteria.