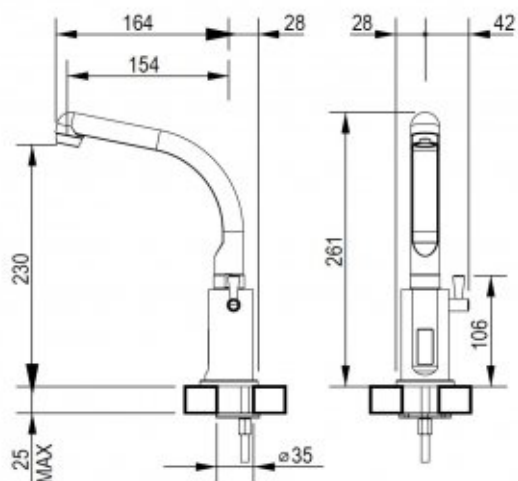




## Electronic photocell battery with mixer 9193

- two power options:
  - power supply (built-in motor) with a capacity of 230V / 6V DC
  - battery, 4 x 1.5 AA alkaline 2700 mAh
- striking appearance
- exceptional durability and reliability
- produced entirely in the European Union
- simple operation
- easy to assemble

Power	6 V DC / 4 x 1,5 AA
Connector	2 x 1/2"
Mixer	Yes
Design	Chrome-plated brass
Water time flow	12 sec
Start	Photocell
Sensor range	7 cm
Water Temperature	5-70°C
Water pressure reduction	up to 21l / min.
Economical	Yes



Electronic mixer with a mixer for two 1/2" connections for cold and hot water, adapted for installation on a wash basin. The outer part of the faucet is made of chrome-plated brass. The battery is available in two power variants:

- 230V / 6V DC power supply (built-in motor) - Product ID 9193R
- battery, 4 x 1.5 AA alkaline 2700 mAh - Product ID 9193B