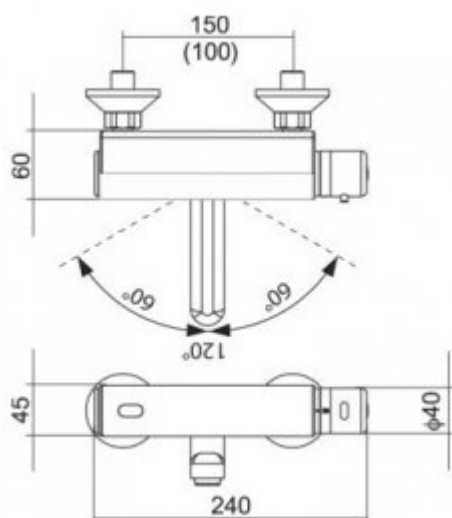




Electronic battery with thermostatic regulator 3109

- solid brass body with a chrome finish
- rotating outlet l ~160 mm and l ~ 200 mm, suitable for double sinks too
- connection pitch 150 mm
- hygienic flushing adjustable from 0-108 hours
- flushing period adjustable from 5-180 seconds
- pre-set to 72 hours and 30 seconds
- possible thermal disinfection activation
- possible thermal disinfection mode activation

Power	6 V DC or 6 V Li, CR-P2 battery
Connector	2 x 1/2"
Temperature	Up to 80°C
Design	Vandalproof, brass covered with chrome
Water time flow	6 l/min
Start	Photocell
Operating pressure	0,05- 1,0 MPa



Touchless sink battery. Designed for public and private facilities.