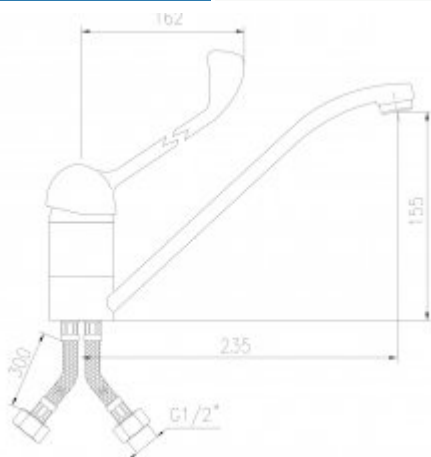


Medical battery 2450

- Hand mixer in the form of a lever
- Extended lever to control the battery through any part of the body
- Swivel spout
- The body is made of chrome-plated brass
- High resistance to vandalism due to the highest quality materials
- Exceptional durability and reliability
- Italian product
- Simple operation
- Easy assembly
- 2 years manufacturer's warranty excluding consumable parts
- PZH certificate, CE declaration

Option	With mixer
Connector	2 x 1/2"
Mixer type	Manual
Design	Vandal resistant - chrome plated brass
Start	By means of a lever
Spout	Equipped with a strainer
Contains	: Battery, 2 hoses 1/2 ", 350 mm long, 2 1/2" fittings equipped with check valves and seals, mounting kit for the wash basin.



Medical mixer for hot and cold water. Used in outpatient clinics, doctor's offices and hospitals. Equipped with a swivel spout, thanks to which it works perfectly in installation with two-chamber sinks, e.g. in gastronomy.