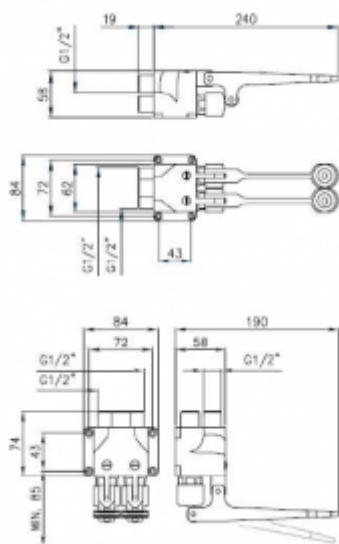




foot battery 9059

- Pedal running
- Wall-mounting
- The body is made of chrome-plated brass
- High resistance to vandalism due to the highest quality materials
- Exceptional durability and reliability
- Italian product
- Simple operation
- Easy assembly
- PZH certificate, CE declaration

option	For cold and hot water
connector	2 x 1/2"
mixer	Yes
design	chrome-plated brass
water time flow	from 8 to 12 seconds
start	By using the pedal button
water pressure reductor	up to 6l / min.
contains	Battery, mounting kit



Specialized foot tap with 1/2 "connections for cold and hot water. The faucet body is made of chrome-plated brass. The recommended method of mounting the product is wall mounting. In addition, the foot battery has a built-in vandal-proof system. The range of water temperature that may be approved for use is 5-70 ° C, at a water pressure of min 0.5 bar - max 6 bar. It is worth adding, that the main advantage of a foot battery is that it is activated by a pedal. This prevents the user's hands from touching the device. Most often, foot batteries are used in the case of disabled people or in the case of gastronomy or surgery, where special attention is paid to the sterility of the hand.