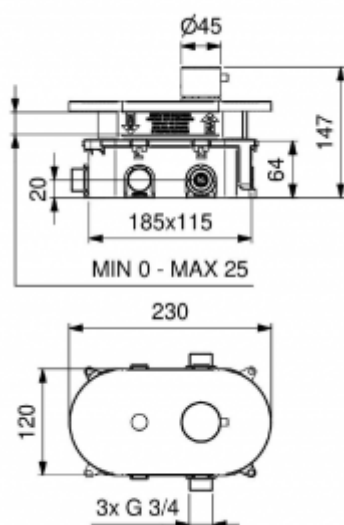


Photocell shower mixer 2546

- Body made of corrosion-resistant brass
- Safe use, fully contactless
- Automatic rinse after 24 hours. It prevents the multiplication of microorganisms, including legionella bacteria
- Vandal-proof protection in the form of automatic shutdown of water flow after 1 minute of continuous use
- Two connection options: 2545B, 6V lithium battery (CRP2) - 220,000 cycles, 2545R, 230V AC / 6V DC power supply
- Exceptional durability and reliability
- Easy to assemble

Power	2546B, 6V lithium battery (CRP2) - 220,000 cycles, 2546R, 230V AC / 6V DC power supply
Connector	2xG3/4
Mixer	Yes
Design	Chrome-plated brass
Water flow	8 l/min
Water pressure	Min - 1 - max - 6 bar
Start	Infra-red sensor with presence detection function
Temperature (min-max)	5-70°C



The 2546 electronic mixer is made of brass covered with a chrome layer. A mounting box made of plastic is attached to the set. The internal parts of the mixer are made of anti-scale parts. The offered faucet has a two 3/4" cold and hot water connection. The 2546 shower tap is available in two power options:

- power supply (built-in motor) 230V / 6V DC - product ID 2546R
- 6V lithium battery (220,000 cycles) - Product ID 2546B

The photocell shower mixer is equipped with a water-saving mode that automatically turns off the water flow after 1 minute of continuous flow. The 2546 tap uses a system that automatically flushes the faucet every 24 hours, which prevents the proliferation of microorganisms, including legionella bacteria.