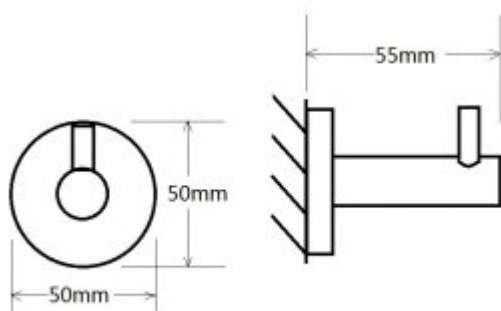




Bathroom hanger H1

- modern design
- great workmanship
- simple assembly
- long-lasting performance

Material	Stainless steel AISI 304
Finish	Polished or matte
Dimensions	50 x 55 mm
Assembly	Wall



Double bathroom hanger. Mounted to the wall with screws. Made of stainless steel. Finish: matte or polished (gloss).