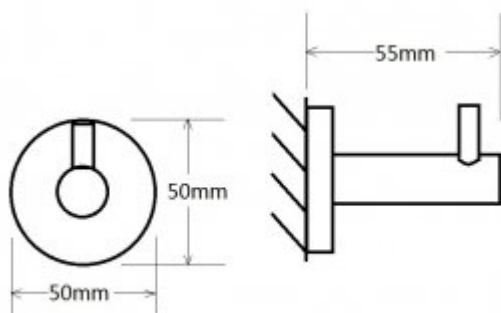




## Bathroom hanger H1A

- Modern design
- Great workmanship
- Simple assembly
- Long-lasting performance

|            |                          |
|------------|--------------------------|
| Material   | Stainless steel AISI 304 |
| Finish     | Black                    |
| Dimensions | 50 x 55 mm               |
| Assembly   | Wall                     |



Double bathroom hanger. Mounted to the wall with screws. Made of stainless steel. Finish: black.