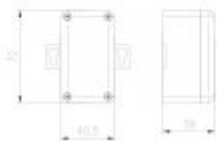
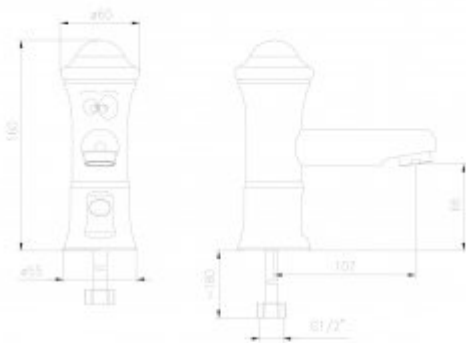




## Children's battery

- The battery body is made of brass covered with epoxy paint in fabulous graphics.
- Auto flush once every 24 hours to prevent Legionella formation
- Low battery indicator - if the battery runs out of power, the battery will remain closed
- Battery operation up to 220,000 uses
- Self-closing protection after 60 seconds of operation
- vandal-proof
- Exceptional durability and reliability
- entirely made in the European Union
- simple operation
- easy assembly
- certificates - PZH certificate, CE certificate

|              |  |
|--------------|--|
| Option       | For mixed water  |
| Connection   | 1/2"   |
| Mixer type   | None   |
| Design       | Vandal resistant - chrome plated brass                                       |
| Launching    | Automatic flushing : once every 24 hours<br>Power supply : 6V battery (CRP2) |
| Power supply | 6V battery (CRP2)  |
| Included     | Battery, mounting kit for the washbasin                                      |



Electronic mixer for mixed water. Created for the youngest users. Ideal as toilet equipment in schools, kindergartens and children's hospitals.