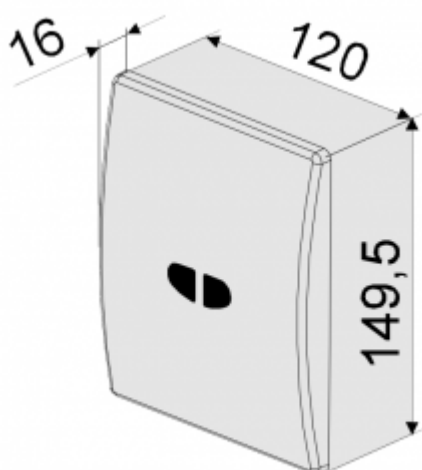




Electric valve 3302

- 3302R, via a 230V AC / 6V DC power supply or 3302B, via a 6V battery
- Sensor plate made of high-quality, matt stainless steel
- Elegant appearance
- Automatic flushing of the water system
- Vandal-proof
- Exceptional durability and reliability
- Produced in the European Union
- Simple operation
- Easy to assemble
- Certificates - PZH certificate, CE certificate

Power	3302R, 230V AC/6V DC or 3302B, battery 6V
Connectro	1/2"
Design	Vandal-resistant- brushed stainless steel
Water time flow	40 l/min
Start	Photocell
Sensor range	40 cm
Contains	Motherboard with electronics,solenoid valve mounting kit. Does not contain power 12 V



Built-in electronic faucet for flushing urinals. Designed for public utility rooms. The presented battery works without contact. The range of the photocell sensor is min. 50 cm, while the time of detection of a person standing in front of the battery is at least 4 seconds. It is worth adding here that the battery does not react to people passing by.

The front part of the 3302 battery housing has a cover made of stainless steel. Moreover, the faucet has a dirt filter and an automatic flushing system (every 12 hours after the last rinsing).

There are two options for operating the urinal faucet:

- 3302R, via a 230V AC / 6V DC power supply;
- 3302B, using a 6V battery.