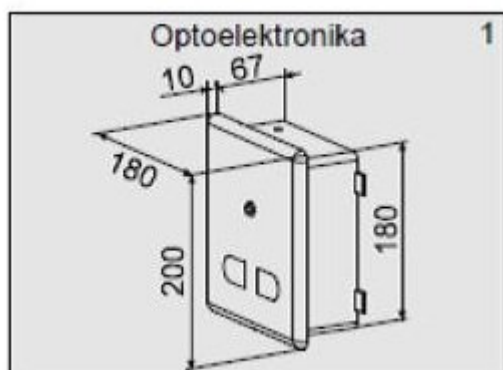




Electric valve 3501C

- Power 12V AC
- Made of stainless steel
- Option to manually start the flush
- Solenoid valve block mounted directly to the water system
- Protection against accidental start
- Automatic flushing
- Made in EU
- Vandal-resistant
- Easy to use
- Easy to montage
- PZH and CE certificate

| | |
|-----------------|---|
| Power | Power 12 V |
| Connectro | 2 x 1" |
| Manual flushing | yes |
| Design | Vandal-resistant- polished stainless steel |
| Water time flow | 70 l/min |
| Start | Photocell |
| Sensor range | 55 cm |
| Contains | Motherboard with electronics, mounting box, selenoid valve block, mounting kit. Does not contain power 12 V (|



Electronic WC photocell battery. Designed for montage directly to pressure installation. Designed for public facilities.