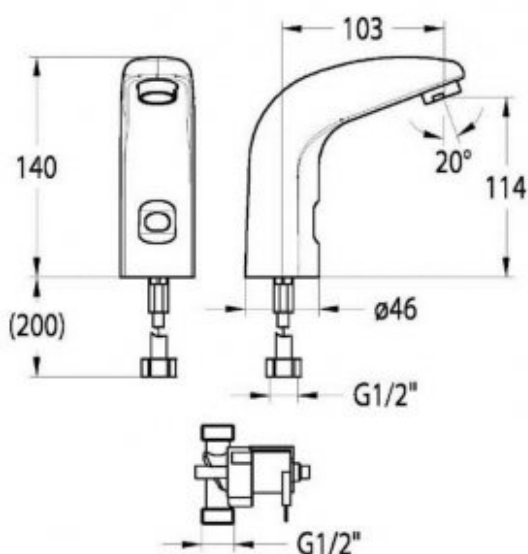




## Electronic photocell battery 2511A

- Body made of corrosion-resistant chrome-plated brass
- Built-in infrared sensor activated when the presence of a hand is detected
- Safe use, fully contactless
- Bistable solenoid valve with external 1/2" connection
- Self-opening after 24 hours. It prevents the multiplication of microorganisms, including legionella bacteria
- Vandal-proof protection in the form of automatic shutdown of water flow after 1 minute of continuous use
- Produced entirely in the European Union
- Simple operation
- Easy to assemble
- Two connection options: external power supply 230V AC / 6V DC (2511AR and 2511AR / M), battery power supply 4 "AA" alkaline batteries × 1.5V, 150,000 cycles (2511AB and 2511AB / M)
- Two possible connections to the water supply: direct connection to one 1/2" connection - without the possibility of setting / regulating the water temperature. - ID 2511AR, 2511AB, connection to the mixer with a 1/2" connection (Mixer Id 9020) - with the possibility of setting / regulating the water temperature. - ID 2511AR / M, 2511AB / M

Power	External power supply 230V AC / 6V DC / 4 alkaline batteries "AA" × 1.5V (150,000 cycles)
Connector	Connection 1/2" (2511AB and 2511AR) / 2 x 1/2" (2511AB / M and 2511AR / M)
Mixer	Mechanical under washbasin - only for 2511AB / M and 2511AR / M
Design	Chrome plated brass
Water time flow	6 l/min
Water temperature	5-70 °C
Water pressure	Min - 1 - max - 8 bar
Vandal-proof system	Yes
Activation	Infra-red sensor with presence detection function



Black basin faucet, operated by infra-red sensor with built-in copper connection pipe. The 2511 battery is equipped with a bistable solenoid valve with water connection G1/2". The body of the offered faucet is made of corrosion-resistant chromed brass.

There are two options for running a black battery:

- 2511AR / M / 2511AR, via a 230V AC / 6V DC power supply;
- 2511AB / M / 2511AB, using batteries, 4x "AA" × 1.5V.

The contactless faucet is equipped with vandal proof mode, which automatically turns off the flow after 1 minute of continuous flow. In addition, self-opening takes place every 24 hours to prevent the multiplication of microorganisms, including legionella bacteria. For the 2511 series, there are two possible connections to the water supply:

- 2511AB / 2511AR, direct connection to one 1/2" connection - without the possibility of setting / regulating the water temperature;
- 2511AB / M / 2511AR / M, connection to the mixer with a 1/2" connection (Mixer Id 9020) - with the possibility of setting / regulating the water temperature.