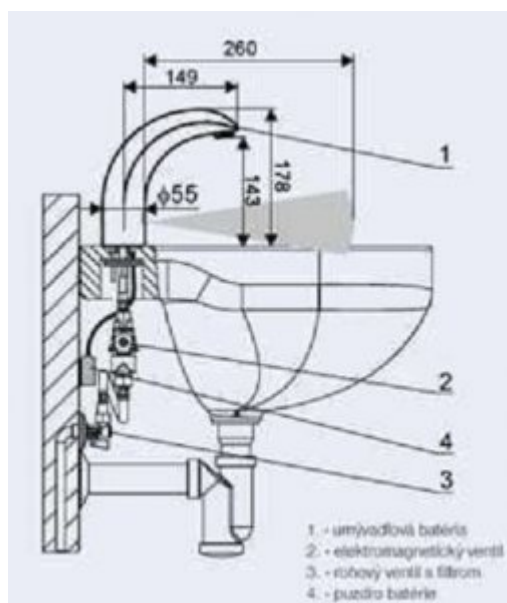




Electronic photocell battery 3103

- Two power options: power 12V AC - 3104, battery CRP2 6V - 3103/B
- Two options for water connection
- Solid brass body
- Made in EU
- Vandal-resistant
- Easy to use
- Easy to montage
- PZH and CE certifice

Power	power 12 V,batteryCRP2 6V
Connector	2 x 3/8"
Mixer	static
Design	Vandal-resistant, brass covered with chrome
Water time flow	6 l/min
Start	Photocell
Sensor range	30 cm
Spout	Equipped in vandal-resistant aerator
Contains	Battery, 2 tubes 3/8" mounting box with seals. Does not include power and bettery CRP2



Electronical sink battery, Possibility to conect hot, cold and pre-mixed water. High class materials used for the batteries provide long-lasting, flawless work and also makes the product very vandal-resistant. Designed for public facilities.