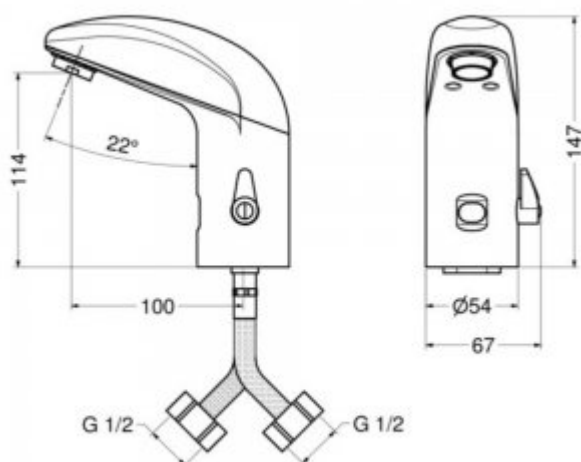




## Electronic photocell battery with mixer 2512

- Body made of corrosion-resistant chrome-plated brass
- Built-in infrared sensor activated when the presence of a hand is detected Safe use, fully contactless
- A side lever that allows you to control the water temperature
- Automatic rinse after 24 hours. It prevents the multiplication of microorganisms, including legionella bacteria
- Vandal-proof protection in the form of automatic shutdown of water flow after 1 minute of continuous use
- Built-in LED indicator, showing low battery, no power In the event of a discharged battery or power cut, the water supply shuts off automatically.
- Two connection options: 2512B, 6V lithium battery (CRP2) - 220,000 cycles, 2512R, 230V AC / 6V DC power supply (additionally IP65 protection, cable with European plug (C), power cut in case of failure)
- Exceptional durability and reliability
- Easy to assemble

Power	2512B, 6V lithium battery (CRP2) - 220,000 cycles, 2512R, 230V AC / 6V DC power supply (additionally IP65 protection, cable with European plug (C), power cut in case of failure).
Connector	2 x 1/2"
Mixer	Built in
Design	Chrome-plated brass
Water time flow	6 l/min
Water pressure	Min - 1 - max - 8 bar
Start	Infra-red sensor with presence detection function
Temperature (min-max)	5-70°C



Touchless washbasin faucet with a built-in mixer for cold and hot water. The side lever allows you to adjust the temperature or allows you to set a constant water temperature. The body of the offered fittings includes an infrared sensor that activates when hands are detected. Such a system guarantees a high level of hygiene and safety of use. The 2512 series offers two power options:

- 2512B, 6V lithium battery (CRP2) - 220,000 cycles;
- 2512R, 230V AC / 6V DC power supply (additionally IP65 protection, cable with European plug (C), power cut in case of failure).

The mentioned electronic battery is equipped with a saving mode, which automatically turns off the water flow after 1 minute of continuous use. Automatic rinsing takes place every 24 hours to prevent the proliferation of microorganisms, including legionella bacteria. In addition, there is an LED indicator in the housing to indicate that the battery / power level is low. In the event of a discharged battery or power cut, the water supply shuts off automatically.