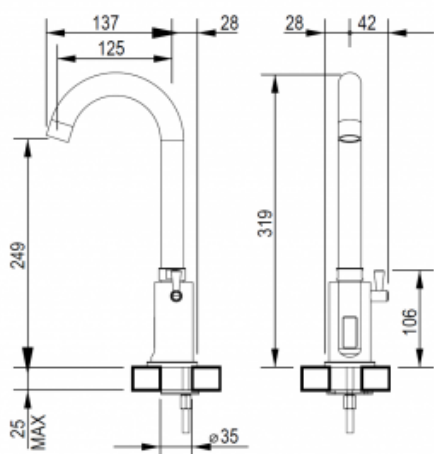




## Electronic photocell battery with mixer 9191

- two power options:
  - power supply (built-in motor) with a capacity of 230V / 6V DC - ID 9191R
  - battery, 4 x 1.5 AA alkaline 2700 mAh - ID 9191B
- striking appearance
- exceptional durability and reliability
- produced entirely in the European Union
- simple operation
- easy to assemble

Power	6 V DC / 4 x 1,5 AA
Connector	2 x 1/2"
Mixer	Yes
Design	Chrome-plated brass
Water time flow	12 sec
Start	Photocell
Sensor range	7 cm
Water Temperature	5-70°C
Water pressure reduction	up to 21l / min.
Economical	Yes



Electronic mixer with a mixer for two 1/2 &HASH39;connections for cold and hot water, adapted for installation on a washbasin. The battery is available in two power variants:

- 230V / 6V DC power supply (built-in motor) - Product ID 9193R
- battery, 4 x 1.5 AA alkaline 2700 mAh - Product ID 9193B

The outer part of the faucet is made of chrome-plated brass. An additional advantage of the chrome-plated fittings is the movable spout, which enables the convenient setting of the water stream. The use of electronic batteries for a photocell with a movable spout can be found, for example, in restaurants, public toilets, hospitals.