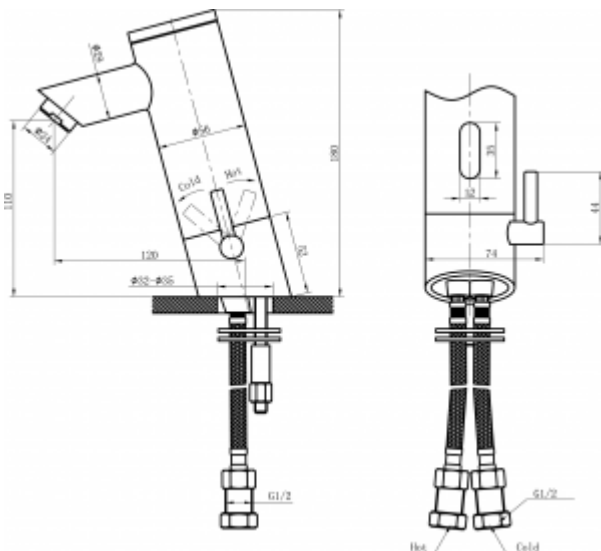




Electronic photocell battery with mixer 9958RB

- For hot and cold water
- Solid brass body
- Easy to use
- Easy to montage

Power	6V DC 4x AA batteries or AC230V
Connector	2 x G1/2
Mixer	Mechanic
Design	Vandal-resistant brass
Start	Photocell
Recommended working pressure	0,5 - 6 bar
Contains	Mounting kit, connection hoses, check valves



Contactless stainless steel battery. Possibility to connect hot, cold and pre-mixed water. Possibility of smooth water temperature. Designed for public facilities and homes.