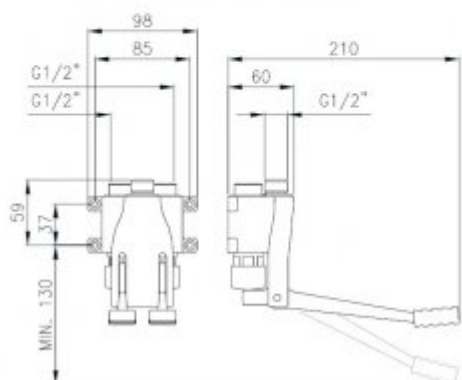




foot battery 9060

- Pedal running
- Wall or floor mounting
- The body is made of chrome-plated brass
- High resistance to vandalism due to the highest quality materials
- Exceptional durability and reliability
- Simple operation
- Easy assembly
- PZH certificate, CE declaration

Connector	2 x 1/2 "
Mixer	Timed, self-closing, pedal
Design	Chrome-plated brass
Water time flow	Adjustable from 10 seconds \pm 3 second
Water pressure	Min 0.5 bar - Max 6 bar
Water pressure reductor	up to 6l/min
Water temperature	5-70° C
Economical	Yes



Foot, time mixer with double 1/2 & connection for cold or mixed water. Activated by a pedal (the pedal has a distinction between hot and cold water), a specialized battery ensures that the user's hands do not have contact with the device. Used in gastronomy or surgery where special attention is paid to hand sterility. Wall or floor mounting possible. It can be used as a time battery for people with disabilities. The 9060 mixer is an ideal product that will prove useful when operated by disabled people or children.