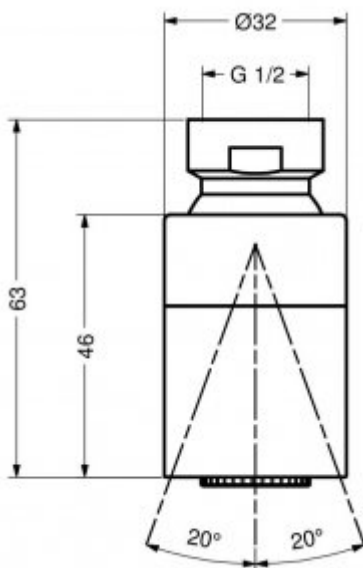




Head for spout 9019/1INOX

- The body is made of chrome-plated brass
- High resistance to vandalism due to the highest quality materials
- Exceptional durability and reliability
- Antiscaling
- Italian product
- Simple operation
- Easy assembly
- 15 years manufacturer's warranty excluding consumable parts
- PZH certificate, CE declaration

Connector	1/2"
Design	Vandal-resistant design - chrome-plated brass, anti-deposits
Tilt adjustment	10 to 30 degrees
Flow reducer	Up to 8 liters per minute
Operating pressure	from 0.5 to a maximum of 6 bar
Permissible water temperature	from 5 to 65 ° C
Included	Spout, mounting kit



Made of chrome-plated brass. The head strainer is made of plastic with rubber nozzles, which make it difficult to settle the stone and facilitate its leveling.
Adapted as a spare part for the 9019INOX spout.