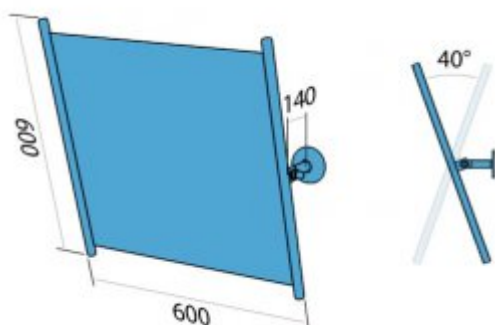




Tilting mirror with handle in side frame 60/60 LU2-9005

- Smooth edges to prevent accidental catching and cuts
- Adjustable inclination angle
- Can be installed in rooms exposed to moisture
- Mounting kit included
- Easy to clean
- Certificate of the Polish Institute of Hygiene
- CE declaration of conformity
- National Declaration of Performance

Material	Carbon steel
finish	Black
Handrail type	Basin left
Tube diameter	Ø 25 mm
The wall thickness :	1,5 mm
Maximum capacity	120 kg
Hole diameter	Ø 8 mm
Number of fixing holes:	9
Includes	6x70 mm screws, 8x65 mm plugs



Tilting mirror for disabled people in a side frame, made of black enameled carbon steel. The mirror frame has a size of 600 x 600 mm and is made of a steel tube with a diameter of 25 mm and a wall thickness of 1.5 mm. The mirror sheet, on the other hand, has dimensions of 546 x 440 mm, and the thickness of its coating is 120 µ. The presented mirror is designed for wall mounting in the washbasin area.