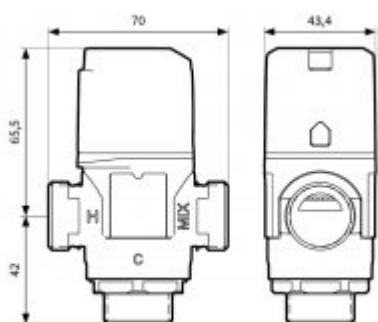




Thermostatic mixer 9024-1

- It does not require maintenance and can be mounted in any position
- The "no scalding" function blocks the flow of hot water when there is no inlet to the cold water valve
- Working pressure 10 bar
- Maximum working temperature 90 ° C
- Exceptional durability and reliability
- Simple operation
- Easy to assemble

Connector	Water connection: G1
Temperature regulation	Adjustment in the range of (9023-34) 20 - 43°C or (9023-34H) 35-60°C
Mixer	Thermostatic
DN	20
Kvs	2,5 m³/h
Max temperature	90°C
Max. working pressure	10 Bar
Additional information	Possibility to connect up to five traditional faucets or four spouts



Thermal mixer with G1 connections and with hand screw for cold and hot water with an element regulating the temperature. The temperature is adjusted when the knob is used. The knob has a double scale, the outer one shows the half-scale, the inner one shows degrees Celsius.

In addition, sealed lids are integrated in the knob, which can be closed with a seal. This solution protects the knob and eliminates accidental changes in water temperature. The mixer body is made of brass. In the central part, inside the body, there is a "no scalding" protection that blocks the flow of hot water when there is no cold-water inlet to the valve.

The mixer has a built-in regulating element ensuring a constant temperature of the mixed water. It should be noted here that in order for the mixer to work properly, it is necessary to set a similar pressure of hot and cold water.