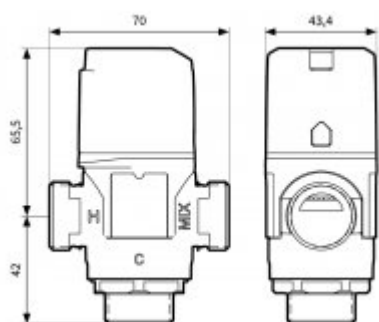




## Thermostatic mixer 9024-34

- It does not require maintenance and can be mounted in any position
- The "no scalding" function blocks the flow of hot water when there is no inlet to the cold water valve
- Possibility to connect up to three traditional faucets or two spouts
- Working pressure 10 bar
- Maximum working temperature 90 ° C
- Exceptional durability and reliability
- Simple operation
- Easy to assemble

Connector	Water connection: G3/4
Temperature regulation	Adjustment in the range of (9024-34) 20 - 43°C or (9024-34H) 35-60°C
Mixer	Thermostatic
DN	15
Kvs	1,6 m <sup>3</sup> /h
Max temperature	90°C
Max. working pressure	10 Bar
Additional information	Possibility to connect up to three traditional faucets or two spouts



Thermal mixer with G3/4 connections, with half screw for cold and hot water with an element regulating the temperature. The temperature is adjusted when the knob is used. The knob has a double scale, the outer one shows the half-scale, the inner one shows degrees Celsius.

In addition, sealed lids are integrated in the knob, which can be closed with a seal. This solution protects the knob and eliminates accidental changes in water temperature. The mixer body is made of brass. In the central part, inside the body, there is a "no scalding" protection that blocks the flow of hot water when there is no cold-water inlet to the valve.

The mixer has a built-in regulating element ensuring a constant temperature of the mixed water. It should be noted here that in order for the mixer to work properly, it is necessary to set a similar pressure of hot and cold water.