



Mounting box 9985

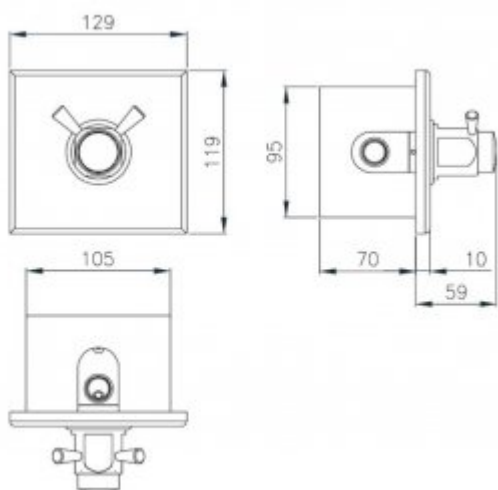
- The body and the cover are made of stainless steel
- High resistance to vandalism due to the highest quality materials
- Exceptional durability and reliability
- Italian product
- Easy assembly
- 2 years manufacturer's warranty
- PZH certificate, CE declaration

Design

Vandal-resistant design - AISI304 stainless steel

Contains

Box, cover, mounting kit



Mounting box made of stainless steel. Designed for mounting 9005MIX PLUS valve