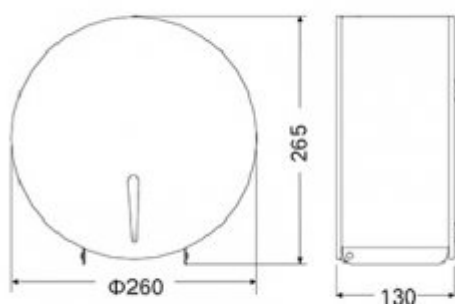


Paper tray C7402

- Made of AISI 304 stainless steel
- Two variants: C7402C polished , C7402S brushed
- Classic shapes
- Vandal-proof design
- High resistance to corrosion and rust
- Polished edges
- Can be lock with a key
- For standard rolls of mini-jumbo toilet paper (250 mm diameter)
- Inspection hole for previewing the amount of remaining paper

Housing	Stainless steel AISI 304
Finishing	Polished or brushed
Design	Vandal-proof execution
Lock	the key
Dimensions	121 x 206 x 160 mm
Window	Yes
Capacity	1 roll up to 250 mm in diameter
Includes	Mounting kit included, key included



Toilet paper dispenser, made of stainless steel AISI 304 in two surface finishes:

C7402C, polished finish;
C7402S, brushed finish.

The used stainless steel 1.4301 is a universal material that is often present in the production of sanitary products. It is characterized by high resistance to vandalism, corrosion, rust, and most oxidizing acids.

The paper dispenser C7402 has dimensions of 260x265x130 mm. The capacity is 1 roll of paper up to 250 mm in diameter. The dispenser can be locked with a key, and there is a window in the housing to view the amount of remaining toilet paper.