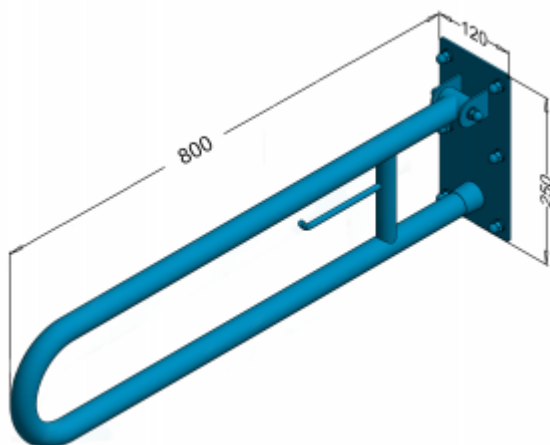




Tilting disabled handrail with space for 80cm PSP 680P

- Stainless steel cap nuts
- Corrosion-resistant
- Mounting kit included
- Easy to clean

Material	AISI 304 stainless steel
finish	Gloss
Handrail type	Tilting, arched, wall-mounted with space for a spare roll of paper
Handrail length	850 mm
Tube diameter	Ø 32 mm
The wall thickness :	1,5 mm
Maximum capacity	160 kg
Hole diameter	Ø 12 mm
Number of fixing holes:	6
Includes	8x100 mm screws, 12x100 mm plugs



Tilting arch handrail with a place for toilet paper for disabled people, length 850 mm, general-purpose, made of polished stainless steel tube or matte 32 mm diameter. We use this type of handrail in the wc area.