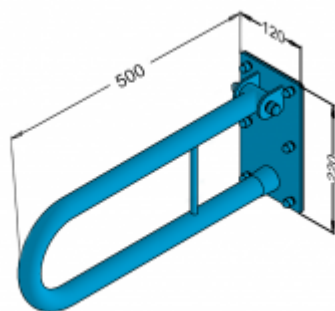




Arched tilting handrail 50cm 32-UR5

- Screw covers
- Mounting kit included
- Silicone pads to eliminate unevenness
- Easy to clean

Material	Carbon steel
Finish	Powder coated in white
Type of coating	Polyester paint
Coating thickness	120 μ
Handrail type	Tilting, arched, wall
Handrail length	500 mm
Tube diameter	Ø 32mm
The wall thickness	1,5 mm
Maximum load	130 kg
Hole diameter	Ø 6,5 mm
Number of fixing holes	6
Includes	6x60 mm screws, 10x60 mm plugs



Handrail for disabled people, arched, tilting, wall-mounted, length 500 mm, general-purpose, made of 32 mm diameter carbon steel tube, white powder coated. We use this type of handrail in the washbasin, shower, and toilet area.