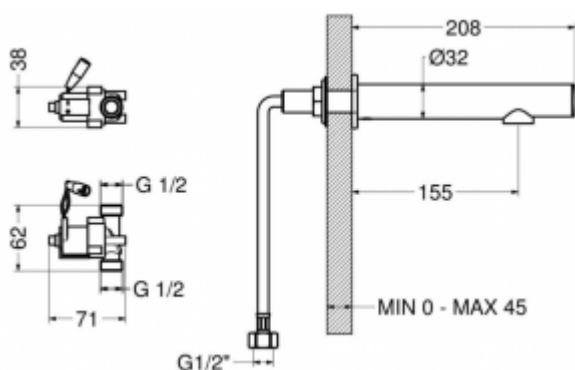




Wall Mounted Electronic Photocell 2582

- Suitable for accessible walls
- Infrared sensor with activation on presence detection
- Vandal-proof stop after 1 min of continuous flow
- Automatic anti-legionella water flow every 24h after last use
- Long-life 6V lithium battery (220,000 cycles), or concealed 230V AC / 6V DC power supply in separate junction box 130x110x50 mm
- Solenoid valve 6V (behind wall)
- Aerator with 6 l/min flow limiter

| | |
|--------------------|---|
| Power | Long-life 6V lithium battery (220,000 cycles), or concealed 230V AC / 6V DC power supply in separate junction box 130x110x50 mm |
| Connector | 1/2" |
| Temperature | 5-70°C |
| Design | Brass covered with chrome |
| Water time flow | 6 l/min |
| Start | Infrared sensor with presence detection function |
| Operating pressure | Min - 1 - max - 8 bar |
| Spout | With vandal-resistant aerator |



The non-contact 2582 battery is a product that guarantees convenient installation as well as safe and non-contact use. The 2582 battery is a universal product that is suitable for wall mounting - it is worth noting here that it can be attached to a wall such as plasterboard.

The non-contact fittings have a built-in infrared sensor, thanks to which you only need to bring your hands closer to start the water flow. In addition, a water-saving system has been built into the wall-mounted tap, which automatically turns off the flow after 1 minute of continuous use. The outer part of the faucet is made of durable and corrosion-resistant brass covered with chrome.

For the 2582 series, there are two types of power supply:

- powered by a 230V AC / 6V DC power supply - ID 2582R;
- 6V lithium battery (CRP2) - ID 2582B.