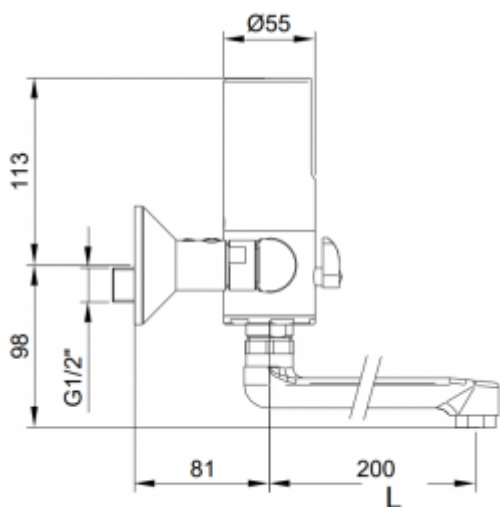


Electronic basin with infrared sensor with ON/OFF mode 2552B

- Vandal-proof stop after 1 min of continuous flow
- Automatic anti-legionella water flow every 24h after last use
- Long-life 6V lithium battery (220,000 cycles)
- Sealed battery box
- Aerator with 6 l/min flow limiter
- Mechanical mixing with front lever
- Infrared sensor with ON/OFF mode
- 6V "Micro" solenoid valve (internal)

Power	Long-life 6V lithium battery (220,000 cycles)
Connector	2 x 1/2"
Temperature	5-70°C
Design	Brass covered with chrome
Water time flow	6 l/min
Start	Infrared sensor with ON/OFF mode
Operating pressure	Min - 1 - max - 8 bar
Spout	With vandal-resistant aerator



The non-contact tap 2552B is a device made of chrome-plated brass, with an integrated mixer for two 1/2 connections for cold and hot water. In the upper part of the body there is an infrared sensor with the On / Off system. To start the water flow, bring your hands closer to the sensor, and to close the water flow, bring your hands back to the sensor.

It is worth noting that the 2552B battery has a protection in the form of an automatic shutdown of the water flow after 1 minute of continuous use. The presented non-contact product is battery operated, more precisely by means of a 6V lithium battery (CRP2). In addition, the product has an LED indicator that tells you that the battery is low. When the batteries are exhausted, the water flow automatically shuts off.