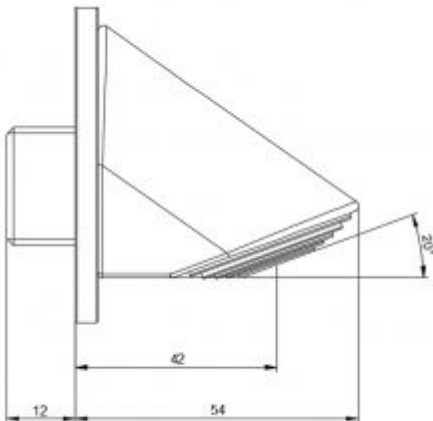




shower spout 9012

- The body is made of chrome-plated brass
- High resistance to vandalism due to the highest quality materials
- Exceptional durability and reliability
- The product is entirely made in the European Union
- Simple operation
- Easy assembly
- 15 years manufacturer's warranty excluding consumable parts
- PZH certificate, CE declaration

Connector	1/2"
Design	chrome plated brass
Tilt adjustment	Fixed angle of 16 °
Contains	Spout, mounting kit



Solid spray spout. Made of chrome-plated brass. Adapted for flush mounting. It has an unregulated angle of water jet of 16 degrees. The spout makes it resistant to vandalism. The slim design definitely makes it difficult for the user to devastate the screed by hanging on it. Recommended for mounting on campsites, baths, swimming pools, schools, gyms and fitness clubs.