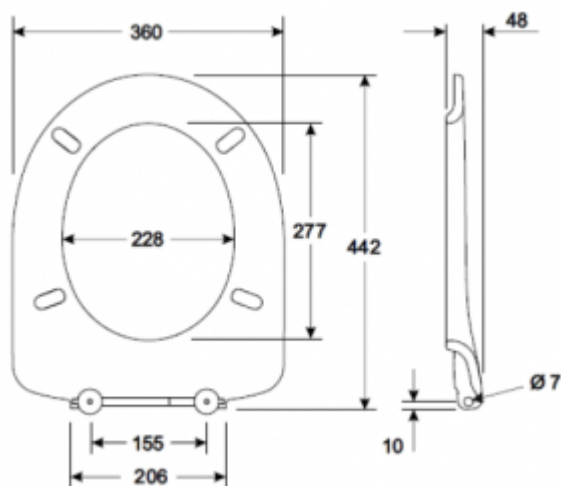




Seat for disabled people M30102

- Made of Duroplast material
- Specially strengthened metal hinges
- Color- white

Material	Duroplast
Color	white
Length [cm]	44,2
Width [cm]	36
Type of hinges	metal



Seat for the disabled.