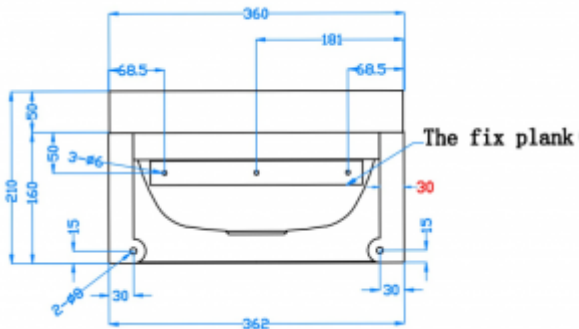




Stainless steel washbasin SB13

- two options: with a watering cup SB13 and without a watering cup SB13P
- made of high-class stainless steel AISI 304
- resistant to mechanical damages
- special edge, which protects from water
- easy to clean
- durability and reliability
- easy assembly
- CE certificate

Material	Stainless steel AISI 304
Dimensions	365 x 210 x 362 mm
Finishing	Satin
Vandal proof	Yes



Universal washbasin made of stainless steel, designed for wall-mounting. Has a special edge, which protects the wall from water and mounting hole for battery assembly.