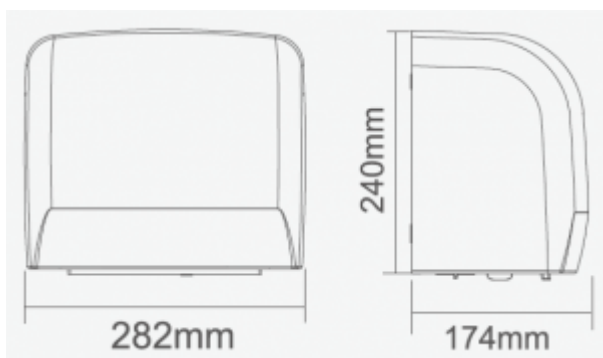




## Hand dryer MBPA4

- 7-12 second hand drying, ideal for heavy traffic
- Relatively quiet operation
- Low noise level
- Durable and resistant to vandalism
- Contemporary and elegant look
- Automatic action on the photocell.
- IPX1 protection

Housing	ABS
Finishing	White
Action	Photocell
Dimensions	282x240x174 mm
Tension	220 – 240 V, 50 Hz
Total power	1250 W
Air velocity	324 km/h
Drying time	7-12s



Automatic hand dryer made of ABS plastic  
Durable, classic construction.  
Modern and elegant look. White dryer matching every toilet finish.